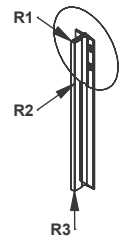
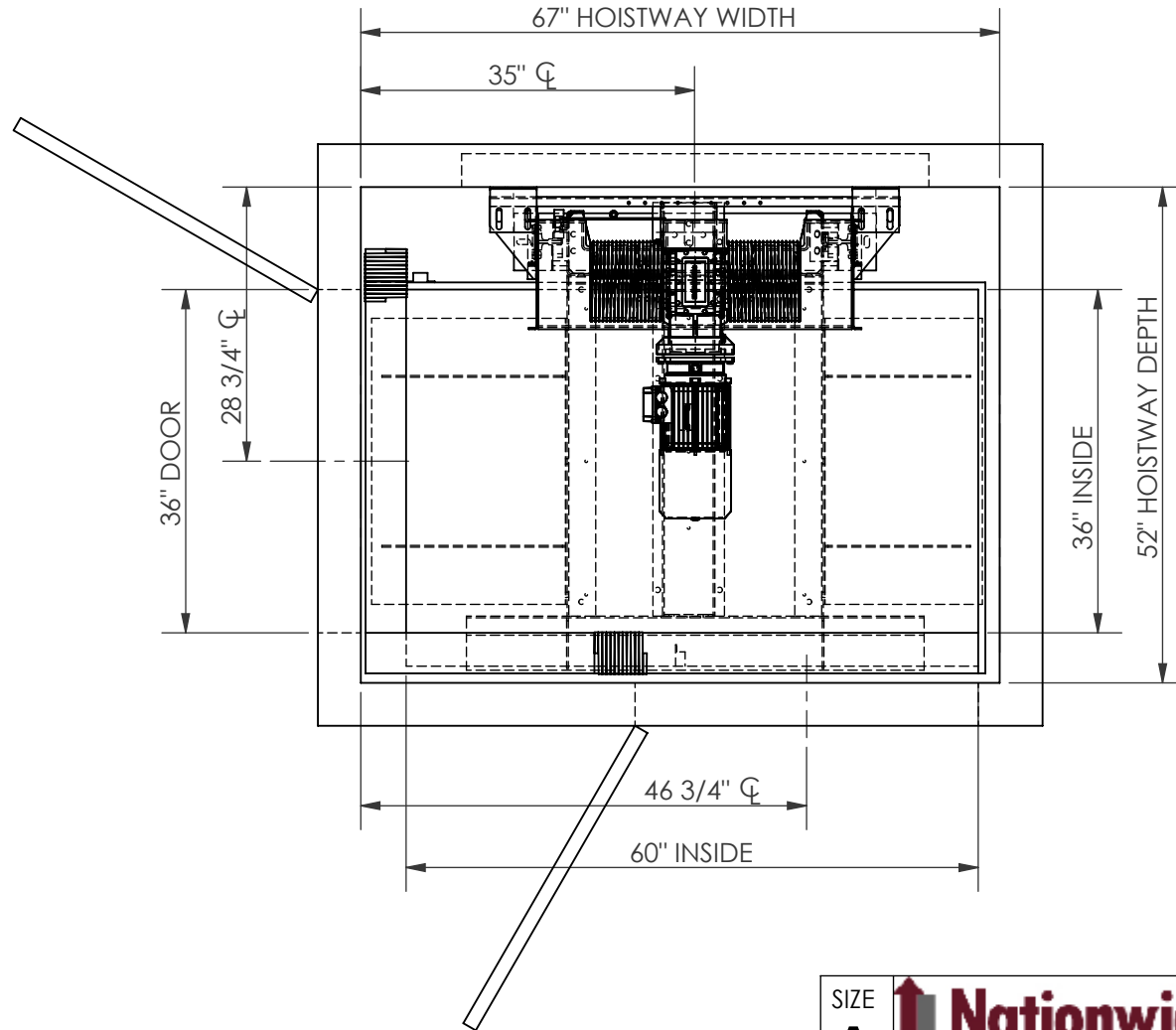
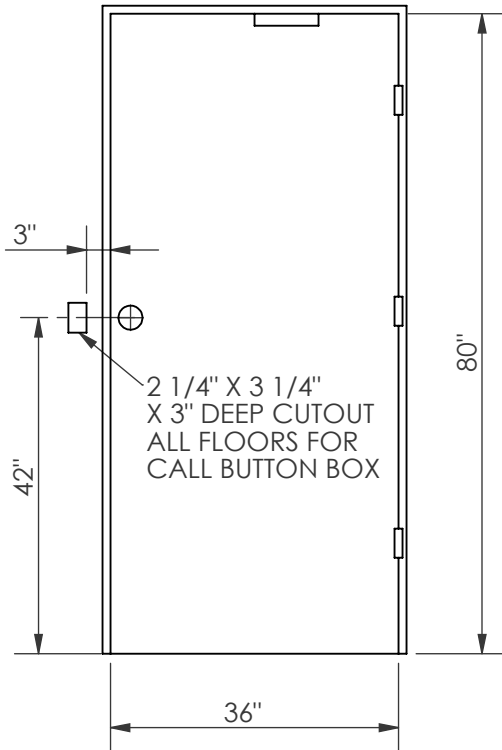
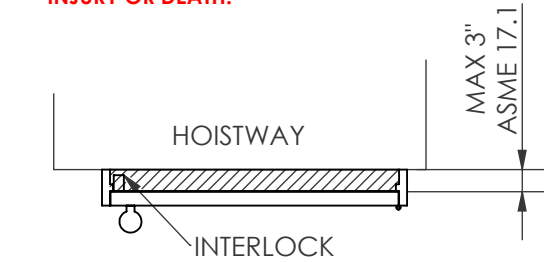


**!WARNING!**

SPACE BETWEEN DOOR AND HOISTWAY MUST NOT EXCEED 3"

INTERLOCKS CONFORMING TO ASME A17.1 MUST BE INSTALLED AND ADJUSTED PER THE MANUFACTURER'S INSTRUCTIONS.

**!FAILURE TO COMPLY MAY RESULT IN SERIOUS INJURY OR DEATH!**



RAIL WEIGHT: 8 lbs/ft

RAIL FORCES

*R1(Fx)	1075 lbs
*R2(Fy)	358 lbs
R3(Fz)	2500 lbs

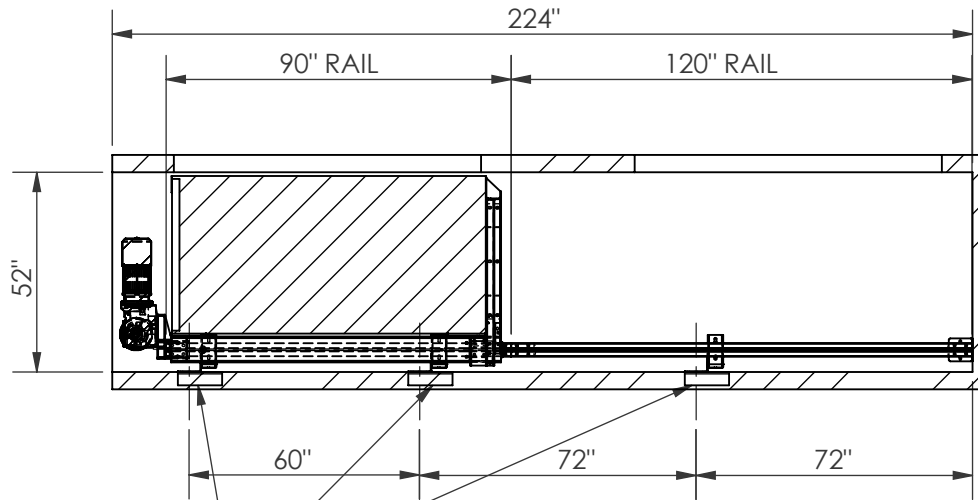
SIZE **A**

**Nationwide Lifts**  
America's *leader* in home elevators.

PART NO.  
**36 X 60, TYPE 4**

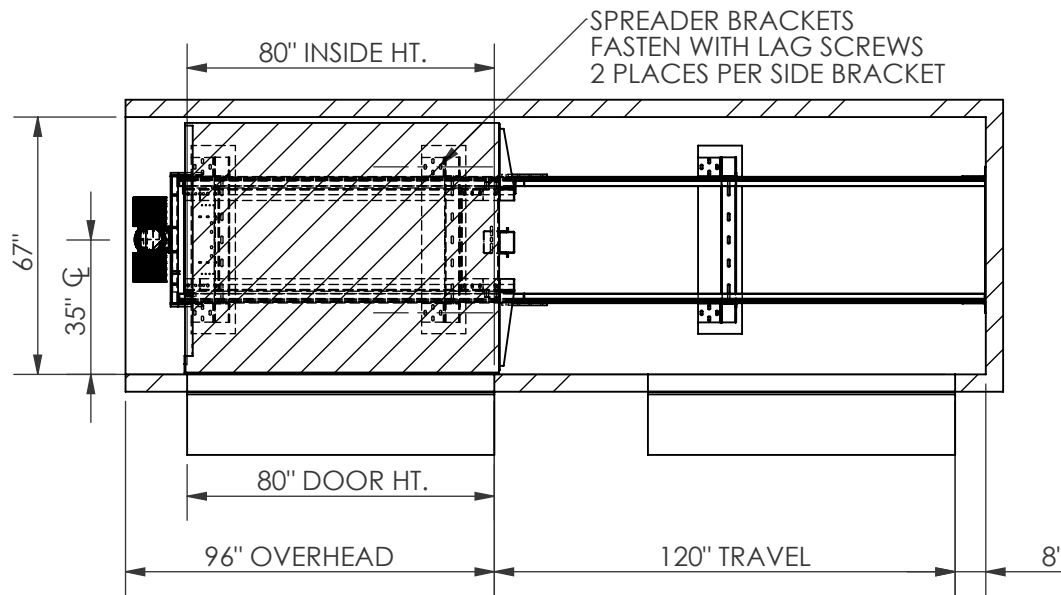
SHEET 1 OF 3

DESCRIPTION:  
SWING DOORS, OVERHEAD DRUM



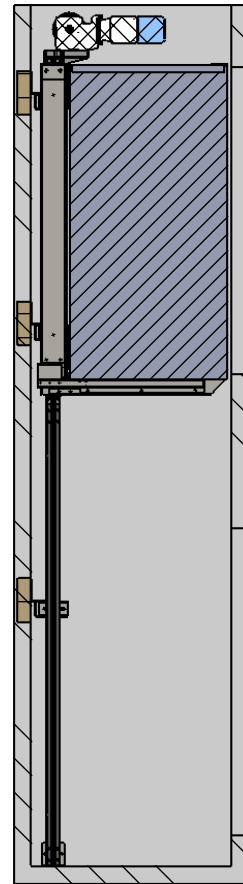
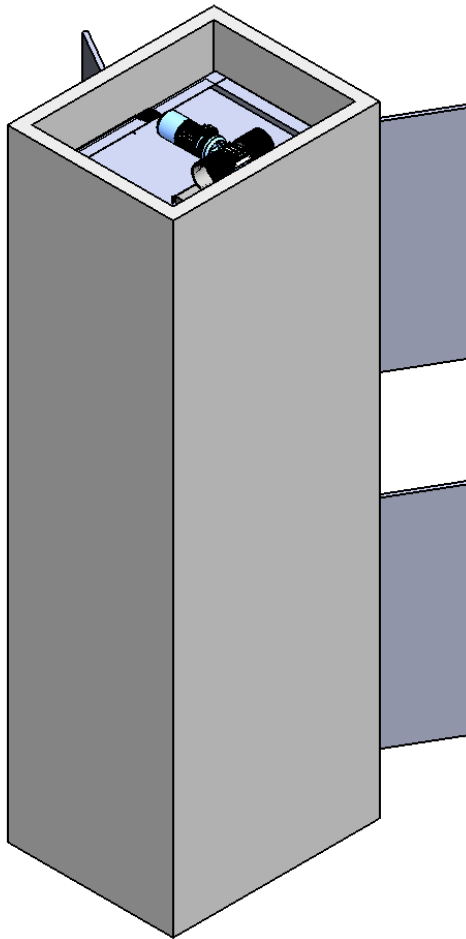
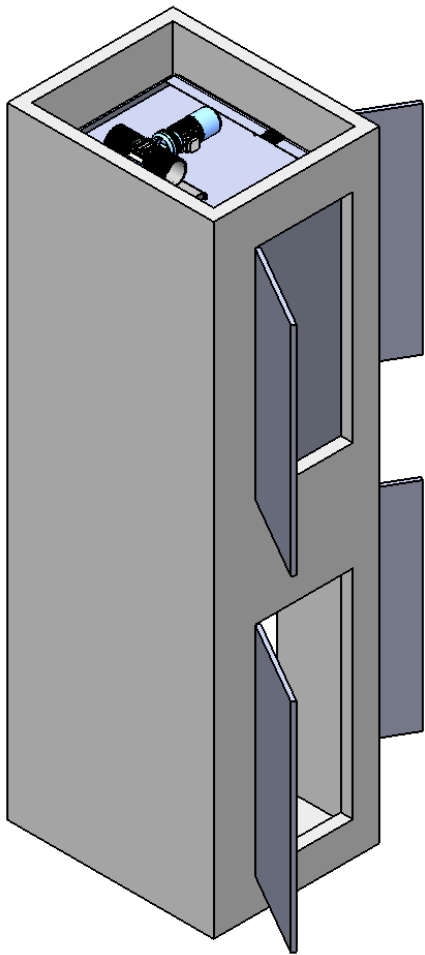
PROVIDE WALL CONSTRUCTION SUITABLE FOR ATTACHMENT OF RAIL BRACKETS AT SHOWN ELEVATION. MUST BE CAPABLE OF 300LB PULLOUT LOADING WITH MAX DEFLECTION OF 1/8".

BRACKET LOCATIONS MAY VARY ACORDING TO TRAVEL




SIZE **A**  **Nationwide Lifts**  
America's *leader* in home elevators.

PART NO.  
**36 X 60, TYPE 4**  
SHEET 2 OF 3  
DESCRIPTION:  
SWING DOORS, OVERHEAD DRUM



SIZE  
**A**

  
**Nationwide Lifts**  
America's *leader* in home elevators.

PART NO.  
**36 X 60, TYPE 4**

SHEET 3 OF 3

DESCRIPTION:  
SWING DOORS, OVERHEAD DRUM

5



4

3

2

1